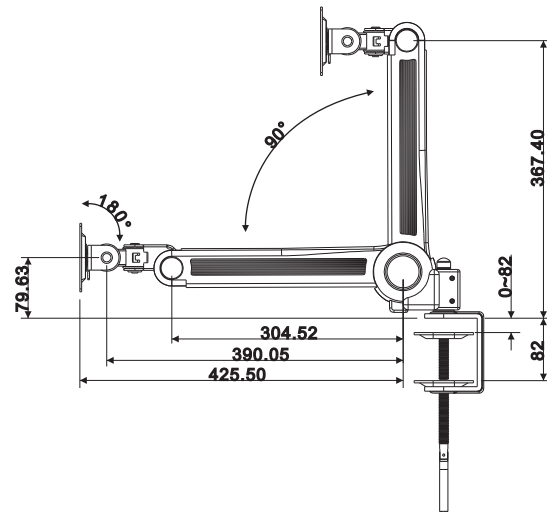
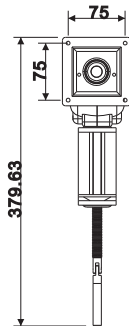
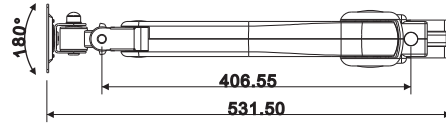
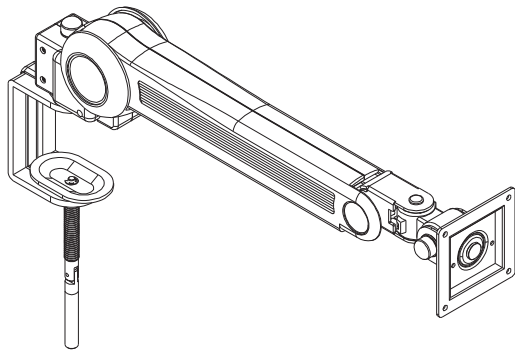




TFT DISPLAY SWIVEL ARM

Specification

***Strong loading up to 10 kgs LCD Monitor.**



Unit:mm

Parts List

MAIN PARTS

ITEM	1	2	3	4	5	6	7	8
PARTS								
QTY	1	1	1	1	2	1	1	1

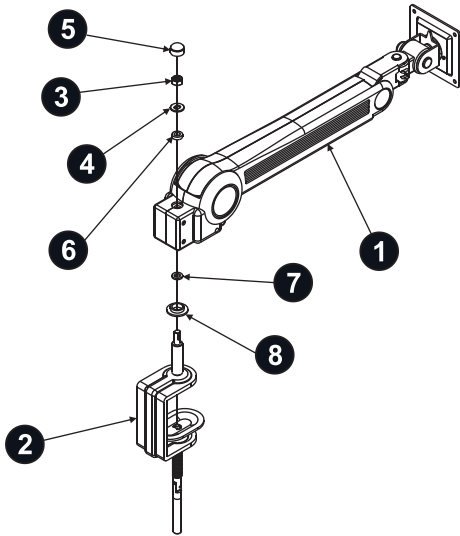
PARTS FOR TV BRACKETS

ITEM	9	10	11
PARTS			
QTY	1	8	1

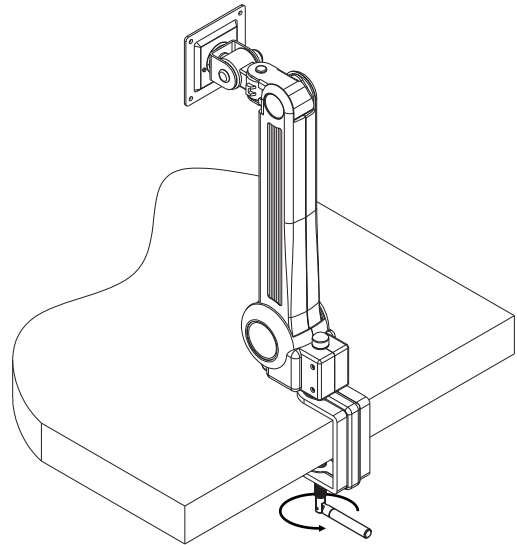
- Beware of the specification as first page.
- Please choose the thickness of solid table over 10mm.
- Please evaluate the desk material whether is stable for installation.
- Recommend the other persons to hold the monitor.
- Unplug all the cables off the monitor.

Installation

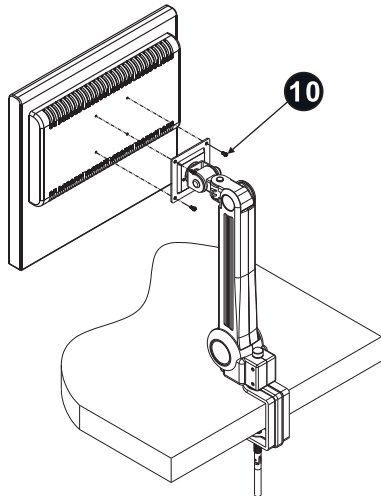
I.



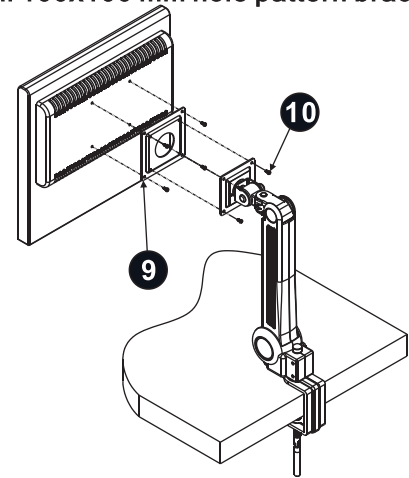
II.



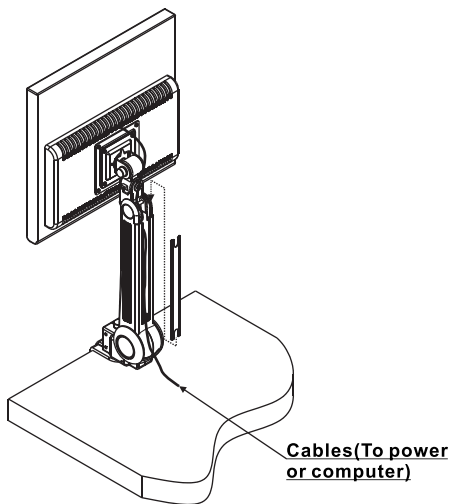
III.



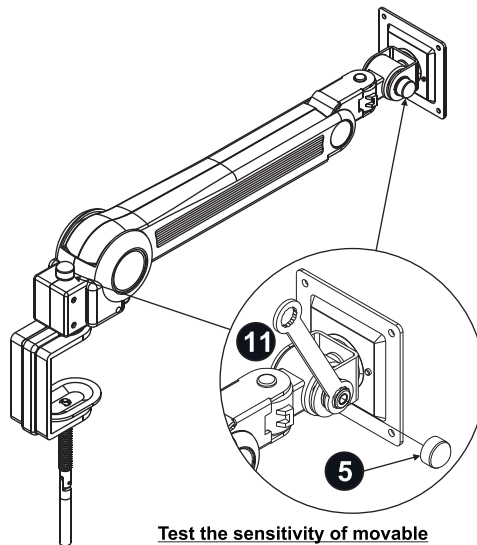
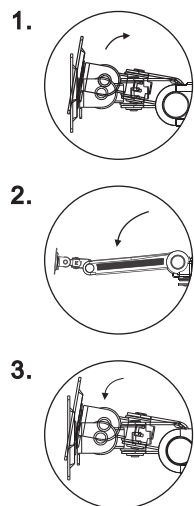
IV. Install 100x100 mm hole pattern bracket.



V.



How to adjust the height?



Test the sensitivity of movable arm with spanner